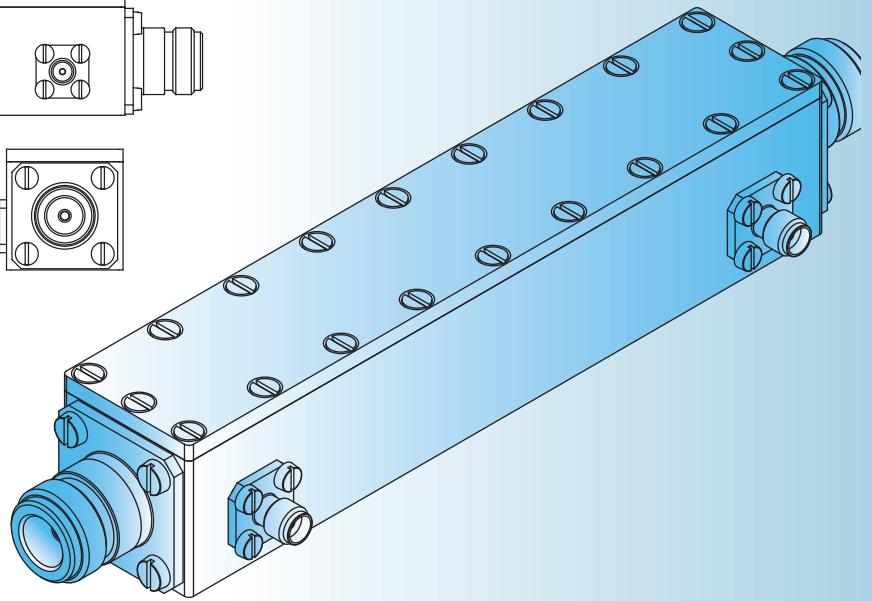
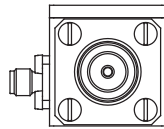
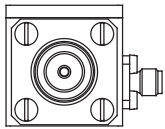
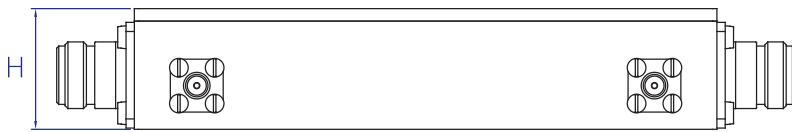
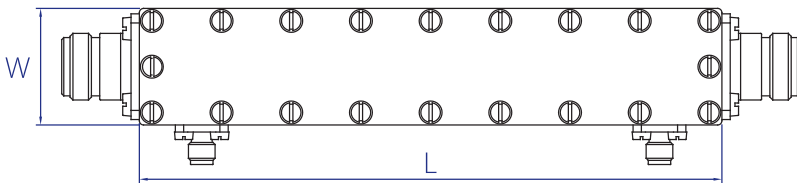


# Directional coupler

Wide band directional couplers suitable for a wide range of signal sampling applications including power measurement and line monitoring. These units are offered with a wide range of frequency, power handling and coupling options and present typically better than 20dB return loss on all ports.



## SPECIFICATIONS

Part Number	Bandwidth (MHz)	Coupling	Loss (dB)	Directivity (dB)	Max Power (Watts)	Dimensions (mm) L x W x H
DC6-200-1000	200-1000	6dB±2dB	0.15	20	150W	140 x 28 x 29
DC6-200-1000N	200-1000	6dB±2dB	0.15	20	180W	140 x 28 x 29
DC10-200-1000	200-1000	10dB±2dB	0.15	20	150W	140 x 28 x 29
DC10-200-1000N	200-1000	10dB±2dB	0.15	20	330W	140 x 28 x 29
DC20-200-1000	200-1000	20dB±2dB	0.15	20	150W	140 x 28 x 29
DC20-200-1000N	200-1000	20dB±2dB	0.15	20	500W	140 x 28 x 29
DC30-200-1000	200-1000	30dB±2dB	0.15	20	150W	140 x 28 x 29
DC30-200-1000N	200-1000	30dB±2dB	0.15	20	500W	140 x 28 x 29
DC6-350-2200	350-2200	6dB±0.5dB	0.25	20	100W	146 x 28 x 29
DC6-350-2200N	350-2200	6dB±0.5dB	0.25	20	100W	146 x 28 x 29
DC10-350-2200	350-2200	10dB±0.5dB	0.25	20	150W	146 x 28 x 29
DC10-350-2200N	350-2200	10dB±0.5dB	0.25	20	170W	146 x 28 x 29
DC20-350-2200	350-2200	20dB±0.5dB	0.25	20	150W	146 x 28 x 29
DC20-350-2200N	350-2200	20dB±0.5dB	0.25	20	270W	146 x 28 x 29
DC30-350-2200	350-2200	30dB±0.5dB	0.25	20	150W	146 x 28 x 29
DC30-350-2200N	350-2200	30dB±0.5dB	0.25	20	270W	146 x 28 x 29

N-suffix indicates that N-Type connectors are used on the Through Line with SMA connectors on the coupled ports.  
No suffix indicates that SMA connectors are used on all ports.

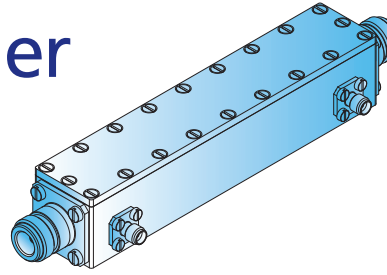
design  
assembly  
manufacturing  
testing

Labtech Microwave  
8 Vincent Avenue  
Crownhill  
Milton Keynes  
MK8 0AB  
UK

Tel: +44 (0)1908 261755  
Fax: +44 (0)1908 261788

www.labtechmicrowave.com  
sales@labtech.ltd.uk

# Directional coupler continued



## SPECIFICATIONS

Part Number	Bandwidth (MHz)	Coupling	Loss (dB)	Directivity (dB)	Max Power (Watts)	Dimensions (mm) L x W x H
DC6-700-2500	700-2500	6dB±0.5dB	0.15	20	100W	65 x 28 x 29
DC6-700-2500N	700-2500	6dB±0.5dB	0.15	20	100W	65 x 28 x 29
DC10-700-2500	700-2500	10dB±0.5dB	0.15	20	150W	65 x 28 x 29
DC10-700-2500N	700-2500	10dB±0.5dB	0.15	20	170W	65 x 28 x 29
DC20-700-2500	700-2500	20dB±0.5dB	0.15	20	150W	65 x 28 x 29
DC20-700-2500N	700-2500	20dB±0.5dB	0.15	20	270W	65 x 28 x 29
DC30-700-2500	700-2500	30dB±0.5dB	0.15	20	150W	65 x 28 x 29
DC30-700-2500N	700-2500	30dB±0.5dB	0.15	20	270W	65 x 28 x 29
DC10-800-6000	800-6000	10dB±0.5dB	0.3	20	50W	90 x 22 x 12
DC20-800-6000	800-6000	20dB±0.5dB	0.3	20	150W	90 x 22 x 12
DC30-800-6000	800-6000	30dB±0.5dB	0.3	20	150W	90 x 22 x 12
DC10-1600-10000	1600-10GHz	10dB±0.5dB	0.35	20	40W	63 x 22 x 12
DC20-1600-10000	1600-10GHz	20dB±0.5dB	0.35	20	100W	63 x 22 x 12
DC30-1600-10000	1600-10GHz	30dB±0.5dB	0.35	20	100W	63 x 22 x 12

These couplers can be supplied with either 2 female connectors, or 1 female and 1 male. Upto 2.5GHz there is the choice of N-Type or sma connectors. Above 2.5GHz we only offer sma connectors.

## NOTES

1. The rated maximum power is for the through line not the coupled line.
2. Insertion Loss does not include coupled power.
3. The directivity assumes a return loss of better than 23dB for any termination or other component that is attached to the opposite coupled port.

**design  
assembly  
manufacturing  
testing**

Labtech Microwave  
8 Vincent Avenue  
Crownhill  
Milton Keynes  
MK8 0AB  
UK

Tel: +44 (0)1908 261755  
Fax: +44 (0)1908 261788

[www.labtechmicrowave.com](http://www.labtechmicrowave.com)  
[sales@labtech.ltd.uk](mailto:sales@labtech.ltd.uk)