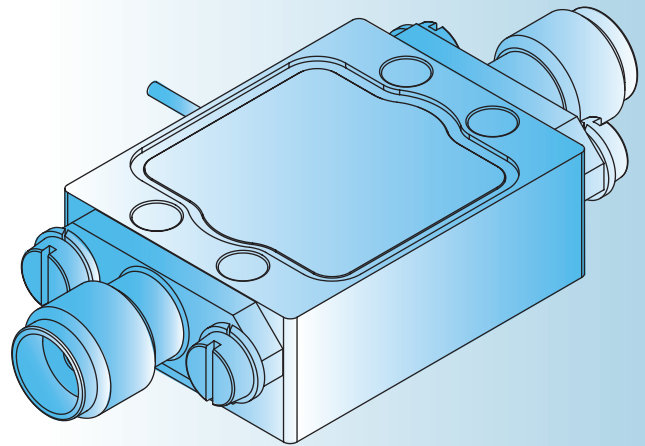
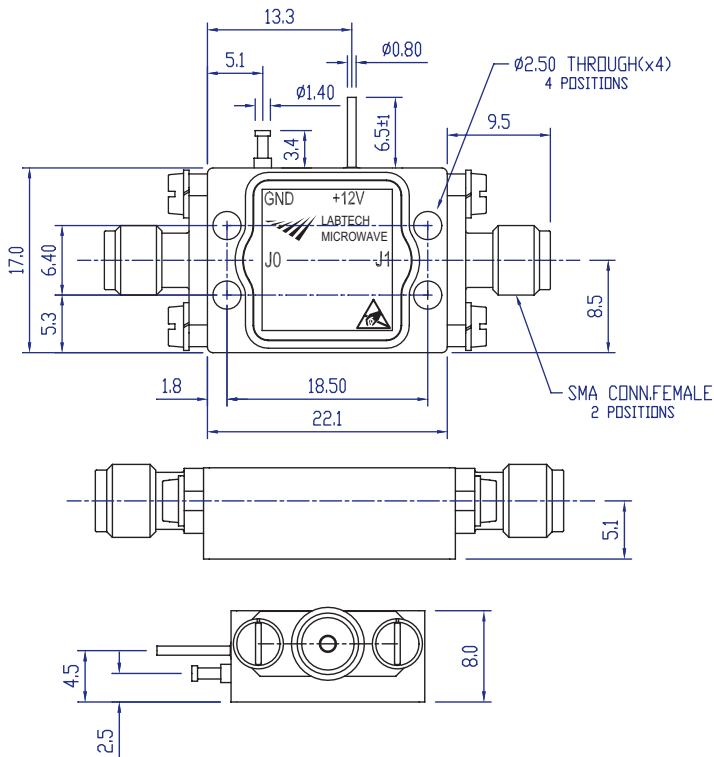


# LME262

## 2-18GHz Linear amplifier

The LME262 is a low noise broadband solid state linear amplifier which operates over the frequency range 2 to 18GHz. The unit incorporates integral regulation and is suitable for use in military environments.



Dimensions in mm

SPECIFICATIONS	TYPICAL VALUES
Frequency range	2 to 18GHz
Minimum gain level over the frequency range 2-18GHz at a case temperature of +25°C	+18dB (min)
Small signal gain variation with frequency	±1.0dB (max) @ +25°C case temperature
Output power at 1dB gain compression at 25°C case temp	+14dBm (min)
Noise figure	4.5dB (max)
Input VSWR	2:1 (worst case)
Output VSWR	2:1 (worst case)
DC power	+12V 70mA (max)
Package outline	See outline drawing

### NOTES

- Gain level varies by 0.03dB/°C
- Other gain level options are available
- Other frequency range options are available
- Options available with integral limiter in alternative outline
- Options available with alternative RF connectors
- Options available with compensation to minimize gain variation over temperature (LMF series)

**design  
assembly  
manufacturing  
testing**

Labtech Microwave  
8 Vincent Avenue  
Crownhill  
Milton Keynes  
MK8 0AB  
UK

Tel: +44 (0)1908 261755  
Fax: +44 (0)1908 261788

www.labtechmicrowave.com  
sales@labtech.ltd.uk