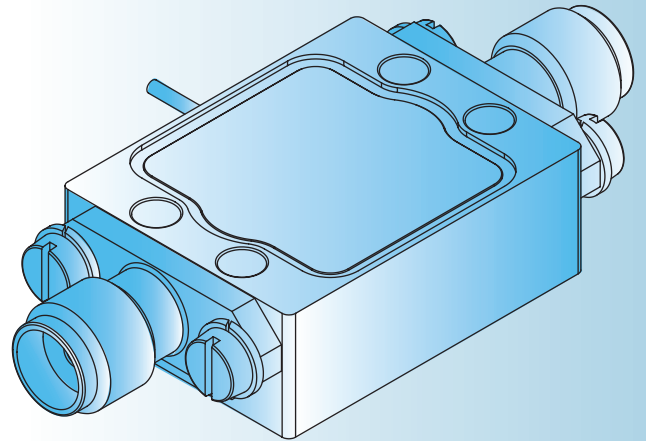
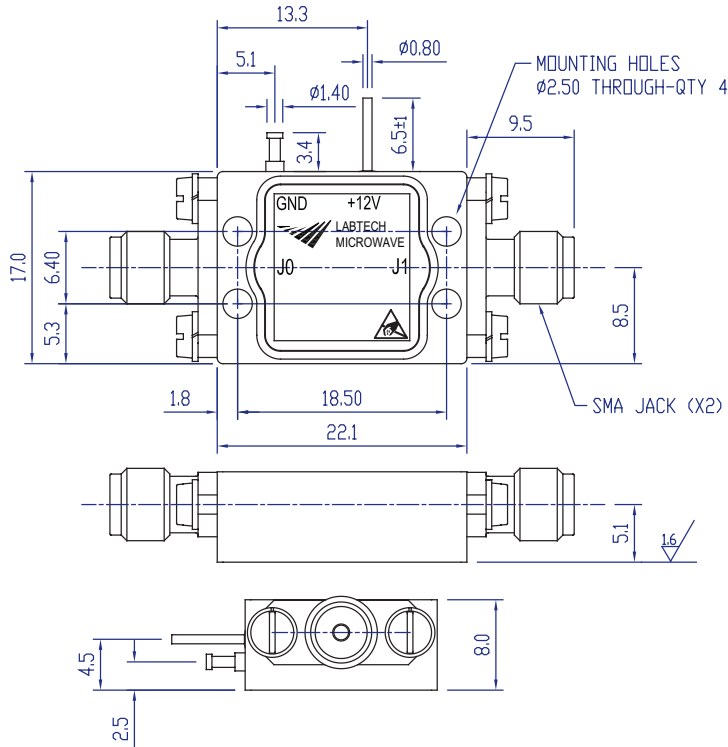


LMF200 SERIES

Parts with codes of the form LMF2#2

Linear amplifier

with temperature compensation and 13dB gain

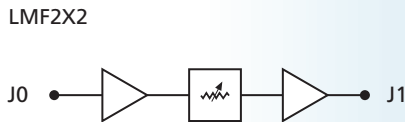


SPECIFICATIONS

PART No.	FREQUENCY RANGE (GHz)	GAIN dB (min)	GAIN RIPPLE (max)	P1 dBm (min)	SUPPLY CURRENT (max)
LMF202	0.5 - 2	13	± 1.2dB	+12	90mA
LMF212	2 - 4	13	± 1.2dB	+12	90mA
LMF222	4 - 8	13	± 1.2dB	+12	90mA
LMF232	8 - 12	13	± 1.2dB	+12	90mA
LMF242	12 - 18	13	± 1.2dB	+12	90mA
LMF262	2 - 18	13	± 1.2dB	+12	90mA
LMF272	6 - 18	13	± 1.2dB	+12	90mA

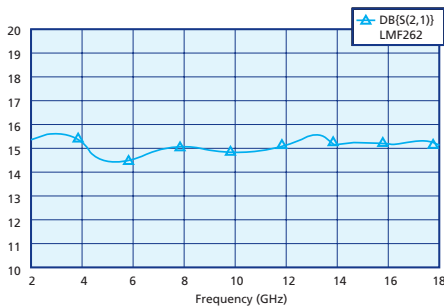
All specifications guaranteed over -40°C to +85°C measured in a 50Ω system.

BLOCK DIAGRAM

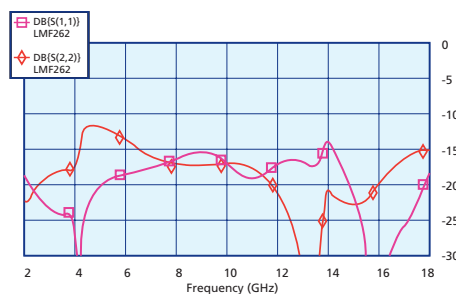


TYPICAL RESULTS

LMF262 GAIN



LMF262 RETURN LOSSES



NOTES

1. Recommended maximum input power +19dBm
2. Noise figure is 5.0dB (max) at +25°C
3. Noise figure is 6.0dB (max) at +85°C
4. Gain ripple (max) at any one temperature in the temperature range -40°C to +85°C
5. Gain level varies by a maximum of ±1.0dB over the temperature range -40°C to +85°C
6. These are standard specifications, customised options are available
7. Input voltage +15V typical (12V to 18V)

design
assembly
manufacturing
testing

Labtech Microwave
8 Vincent Avenue
Crownhill
Milton Keynes
MK8 0AB
UK

Tel: +44 (0)1908 261755
Fax: +44 (0)1908 261788

www.labtechmicrowave.com
sales@labtech.ltd.uk