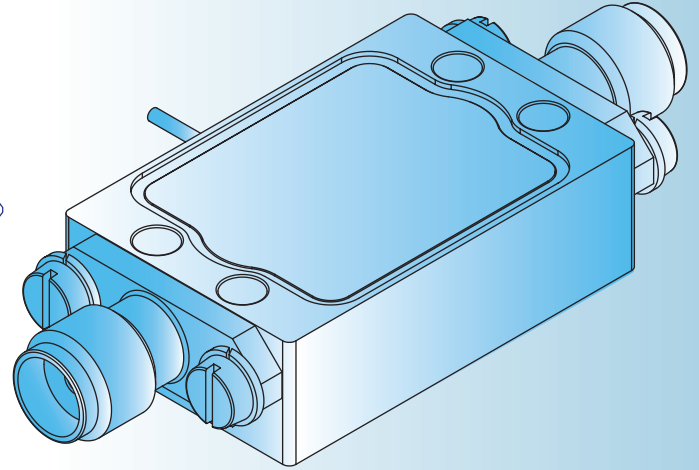
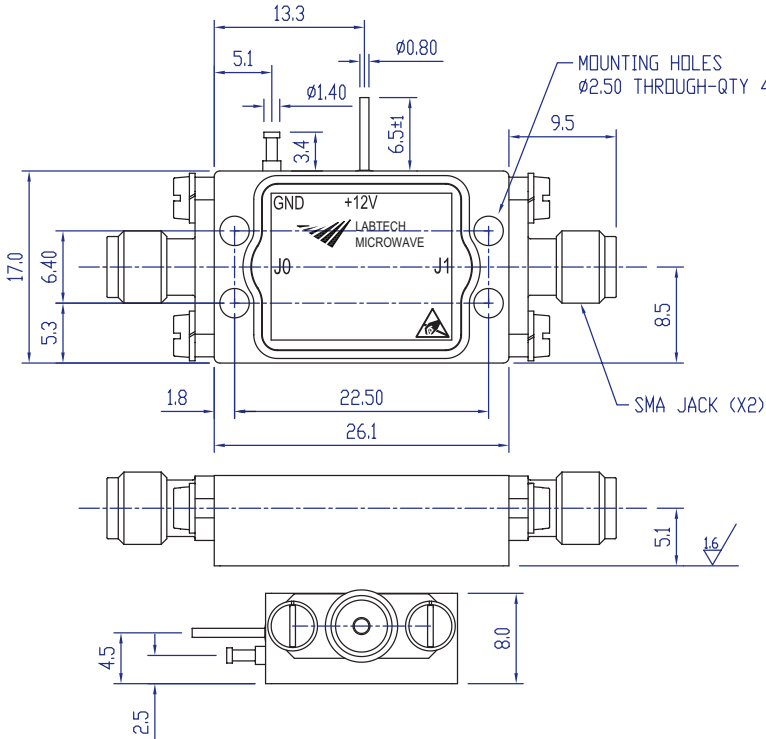


# LMF300 SERIES

Parts with codes of the form LMF3#4

## Linear amplifier

with temperature compensation and 32dB gain



### SPECIFICATIONS

| PART No. | FREQUENCY RANGE (GHz) | GAIN dB (min) | GAIN RIPPLE (max) | P1 dBm (min) | SUPPLY CURRENT (max) |
|----------|-----------------------|---------------|-------------------|--------------|----------------------|
| LMF304   | 0.5 - 2               | 32            | ± 1.5dB           | +13          | 170mA                |
| LMF314   | 2 - 4                 | 32            | ± 1.5dB           | +13          | 170mA                |
| LMF324   | 4 - 8                 | 32            | ± 1.5dB           | +13          | 170mA                |
| LMF334   | 8 - 12                | 32            | ± 1.5dB           | +13          | 170mA                |
| LMF344   | 12 - 18               | 32            | ± 1.5dB           | +13          | 170mA                |
| LMF364   | 2 - 18                | 32            | ± 1.5dB           | +13          | 170mA                |
| LMF374   | 6 - 18                | 32            | ± 1.5dB           | +13          | 170mA                |

All specifications guaranteed over -40°C to +85°C measured in a 50Ω system.

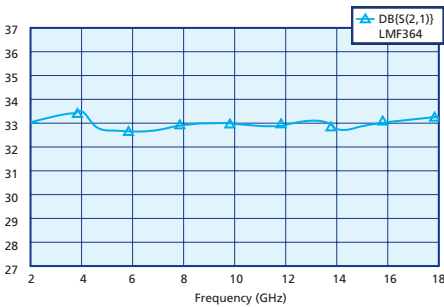
### BLOCK DIAGRAM

LMF3X4

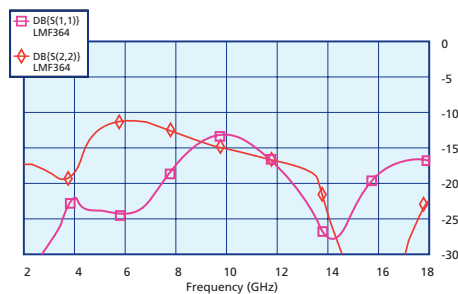


### TYPICAL RESULTS

LMF364 GAIN



LMF364 RETURN LOSSES



### NOTES

1. Recommended maximum input power +19dBm
2. Noise figure is +4.6dB (max) at +25°C
3. Noise figure is +5.6dB (max) at +85°C
4. Gain ripple (max) at any one temperature in the temperature range -40°C to +85°C
5. Gain level varies by a maximum of ±1.0dB over the temperature range -40°C to +85°C
6. These are standard specifications, customised options are available
7. Input voltage +15V typical (12V to 18V)

design  
assembly  
manufacturing  
testing

Labtech Microwave  
8 Vincent Avenue  
Crownhill  
Milton Keynes  
MK8 0AB  
UK

Tel: +44 (0)1908 261755  
Fax: +44 (0)1908 261788

www.labtechmicrowave.com  
sales@labtech.ltd.uk