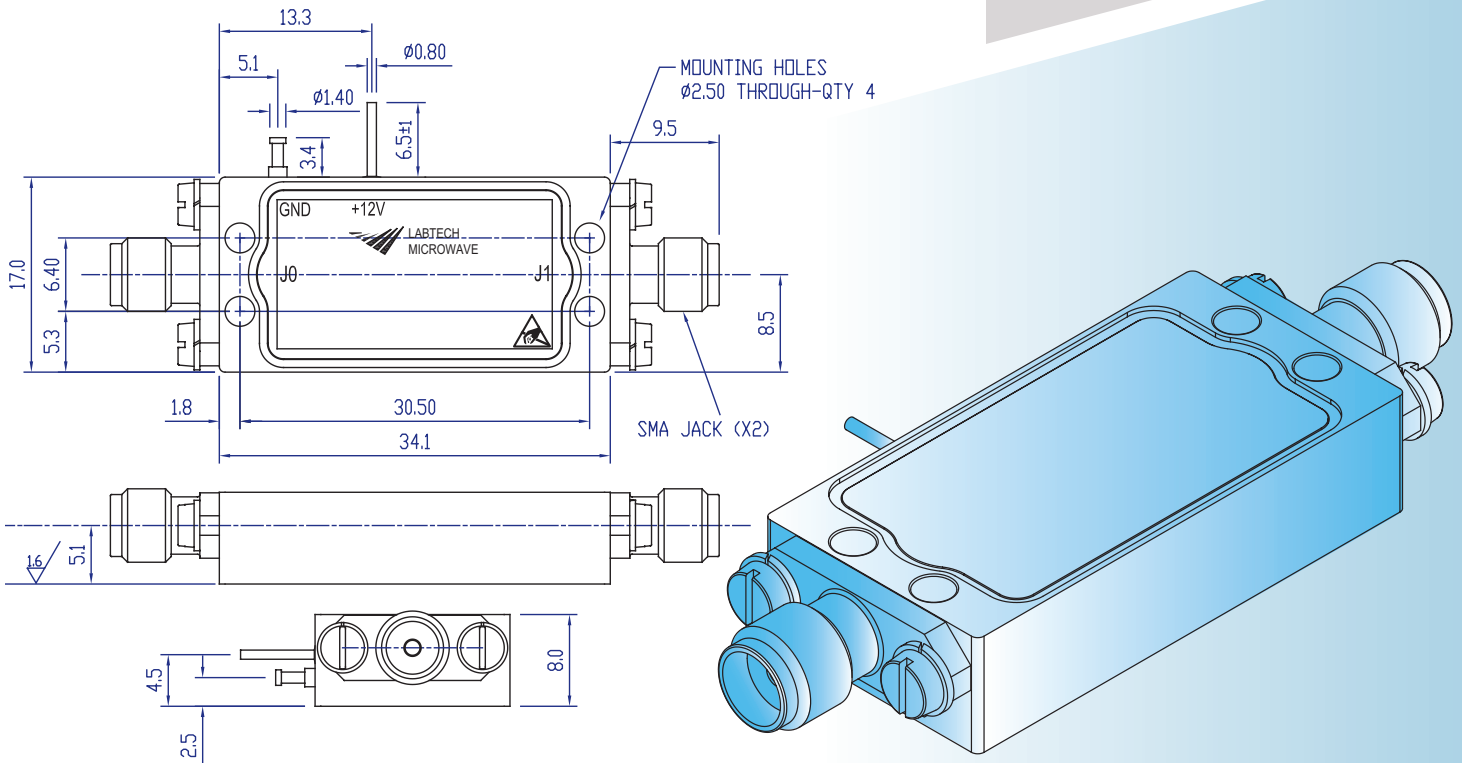


# LMF400 SERIES

Parts with codes of the form LMF4#5

## Linear amplifier

with temperature compensation and 42dB gain



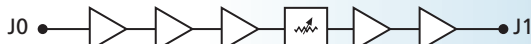
### SPECIFICATIONS

PART No.	FREQUENCY RANGE (GHz)	GAIN dB (min)	GAIN RIPPLE (max)	P1 dBm (min)	SUPPLY CURRENT (max)
LMF405	0.5 - 2	42	± 1.5dB	+14	220mA
LMF415	2 - 4	42	± 1.5dB	+14	220mA
LMF425	4 - 8	42	± 1.5dB	+14	220mA
LMF435	8 - 12	42	± 1.5dB	+14	220mA
LMF445	12 - 18	42	± 1.5dB	+14	220mA
LMF465	2 - 18	42	± 1.5dB	+14	220mA
LMF475	6 - 18	42	± 1.5dB	+14	220mA

All specifications guaranteed over -40°C to +85°C measured in a 50Ω system.

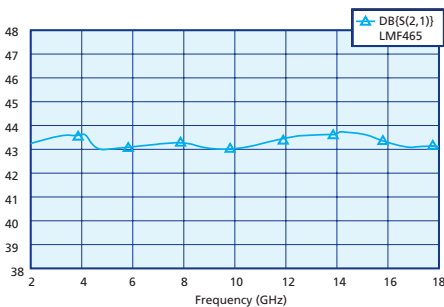
### BLOCK DIAGRAM

LMF4X5

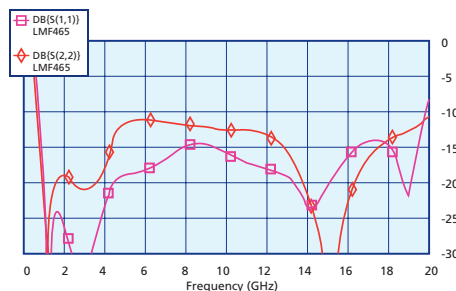


### TYPICAL RESULTS

LMF465 GAIN



LMF465 RETURN LOSSES



### NOTES

1. Recommended maximum input power +19dBm
2. Noise figure is +4.5dB (max) at +25°C
3. Noise figure is +5.5dB (max) at +85°C
4. Gain ripple (max) at any one temperature in the temperature range -40°C to +85°C
5. Gain level varies by a maximum of ±1.0dB over the temperature range -40°C to +85°C
6. These are standard specifications, customised options are available
7. Input voltage +15V typical (12V to 18V)

design  
assembly  
manufacturing  
testing

Labtech Microwave  
8 Vincent Avenue  
Crownhill  
Milton Keynes  
MK8 0AB  
UK

Tel: +44 (0)1908 261755  
Fax: +44 (0)1908 261788

www.labtechmicrowave.com  
sales@labtech.ltd.uk