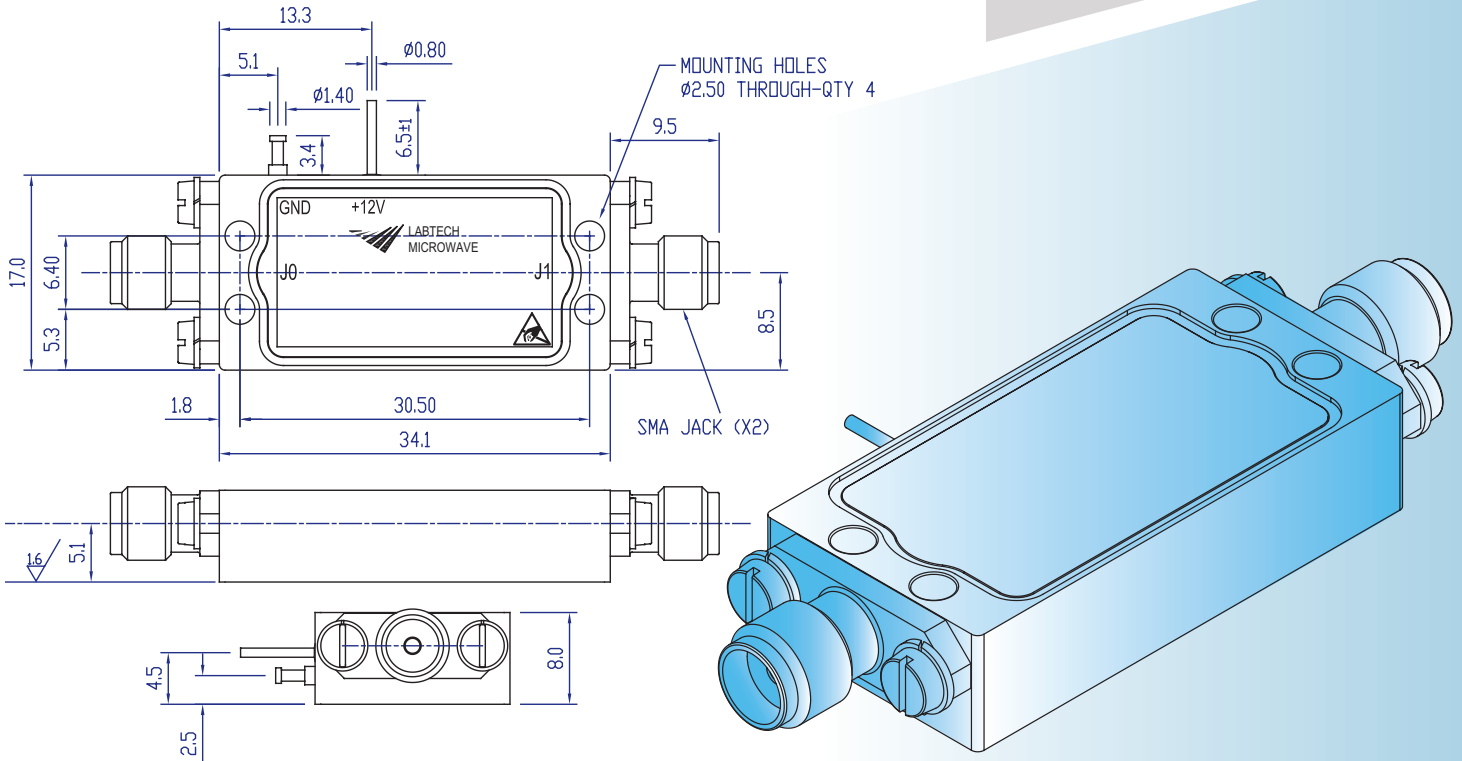


# LMF400 SERIES

Parts with codes of the form LMF4#6

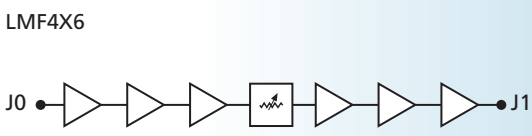
## Linear amplifier

with temperature compensation and 51dB gain



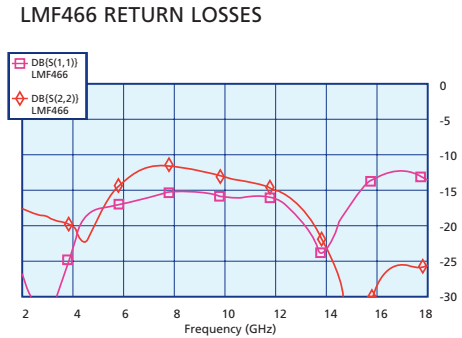
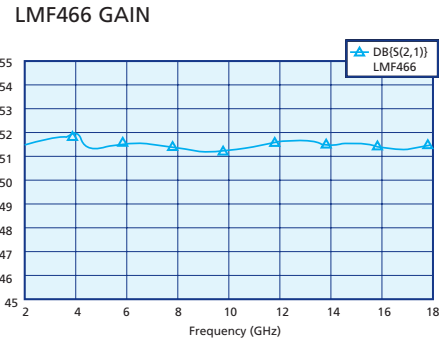
SPECIFICATIONS					
PART No.	FREQUENCY RANGE (GHz)	GAIN dB (min)	GAIN RIPPLE (max)	P1 dBm (min)	SUPPLY CURRENT (max)
LMF406	0.5 - 2	51	± 1.8dB	+14	260mA
LMF416	2 - 4	51	± 1.8dB	+14	260mA
LMF426	4 - 8	51	± 1.8dB	+14	260mA
LMF436	8 - 12	51	± 1.8dB	+14	260mA
LMF446	12 - 18	51	± 1.8dB	+14	260mA
LMF466	2 - 18	51	± 1.8dB	+14	260mA
LMF474	6 - 18	51	± 1.8dB	+14	260mA

### BLOCK DIAGRAM



All specifications guaranteed over -40°C to +85°C measured in a 50Ω system.

### TYPICAL RESULTS



- NOTES**
1. Recommended maximum input power +19dBm
  2. Noise figure is +4.5dB (max) at +25°C
  3. Noise figure is +5.5dB (max) at +85°C
  4. Gain ripple (max) at any one temperature in the temperature range -40°C to +85°C
  5. Gain level varies by a maximum of ±1.0dB over the temperature range -40°C to +85°C
  6. These are standard specifications, customised options are available
  7. Input voltage +15V typical (12V to 18V)

**design**  
**assembly**  
**manufacturing**  
**testing**

Labtech Microwave  
 8 Vincent Avenue  
 Crownhill  
 Milton Keynes  
 MK8 0AB  
 UK

Tel: +44 (0)1908 261755  
 Fax: +44 (0)1908 261788  
[www.labtechmicrowave.com](http://www.labtechmicrowave.com)  
[sales@labtech.ltd.uk](mailto:sales@labtech.ltd.uk)

LMW 01/08