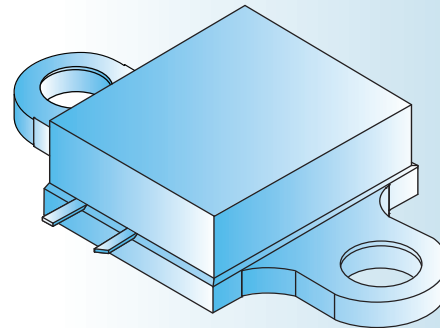
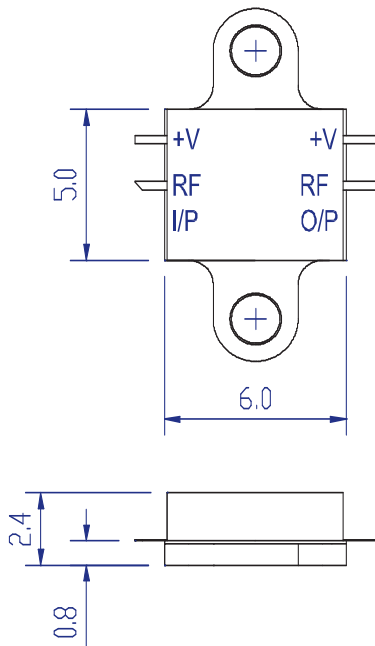


# LMG001

## Single stage linear amplifier

The LMG001 is a single stage PHEMT based microwave amplifier module comprising an organic substrate MIC on a metal carrier with a bonded cover.



ACTUAL SIZE

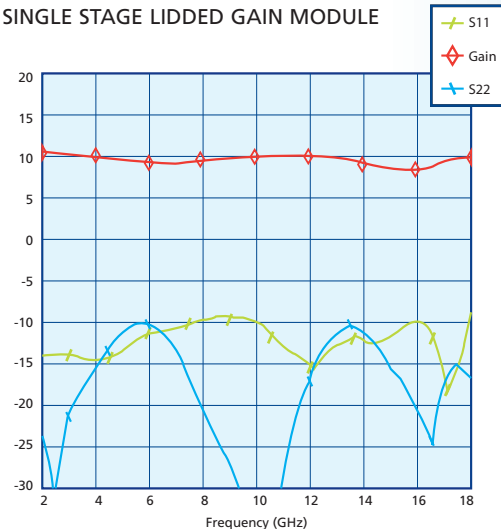


### SPECIFICATIONS - TYPICAL VALUES

PARAMETER	VALUE	BIAS VOLTAGE
Frequency range	2 to 18GHz	
Gain	9.5dB	6V
	9.0dB	8V
Gain ripple	±1dB	6V
	±1dB	8V
Noise figure	4.5dB	6V
PldB	12dBm	6V
	14dBm	8V
Bias current	35mA	6V
	35mA	8V

### TYPICAL RESULTS

SINGLE STAGE LIDDED GAIN MODULE



### NOTES

1. All specifications at +25°C, measured in a 50\_ system, using Labtech test jig (details on application)
2. Recommended maximum input power +19dBm
3. Gain level varies by approx. -0.015dB/°C
4. These are standard specifications, customised options are available

**design  
assembly  
manufacturing  
testing**

Labtech Microwave  
8 Vincent Avenue  
Crownhill  
Milton Keynes  
MK8 0AB  
UK

Tel: +44 (0)1908 261755  
Fax: +44 (0)1908 261788

www.labtechmicrowave.com  
sales@labtech.ltd.uk