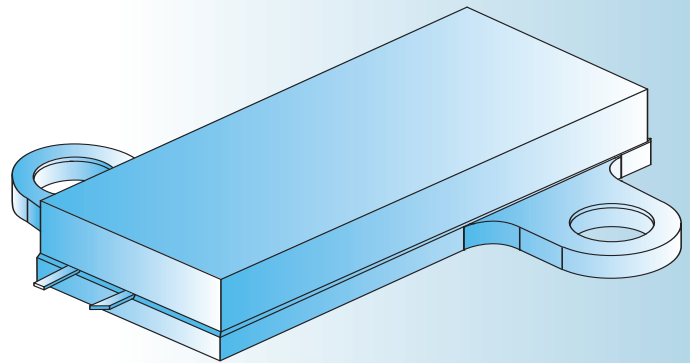
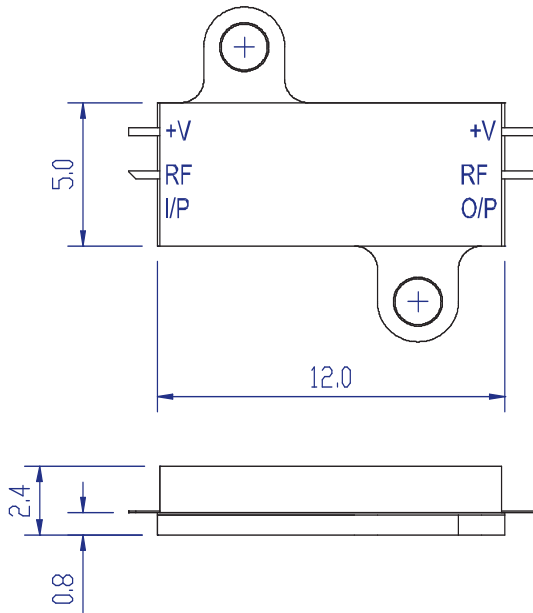


LMG002

Two stage linear amplifier

The LMG002 is a two stage PHEMT based microwave amplifier module comprising an organic substrate MIC on a metal carrier with a bonded cover.



ACTUAL SIZE

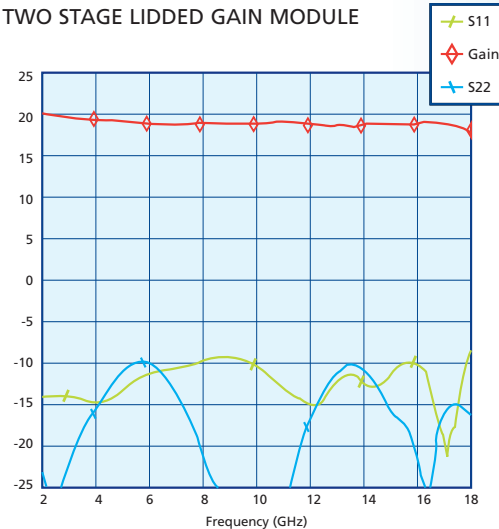


SPECIFICATIONS - TYPICAL VALUES

PARAMETER	VALUE	BIAS VOLTAGE
Frequency range	2 to 18GHz	
Gain	19dB	6V
	18dB	8V
Gain ripple	±1dB	6V
	±1.5dB	8V
Noise figure	4.5dB	6V
PldB	12dBm	6V
	14dBm	8V
Bias current	60mA	6V
	60mA	8V

TYPICAL RESULTS

TWO STAGE LIDDED GAIN MODULE



NOTES

1. All specifications at +25°C, measured in a 50_{ohm} system, using Labtech test jig (details on application)
2. Recommended maximum input power +19dBm
3. Gain level varies by approx. -0.03dB/°C
4. These are standard specifications, customised options are available

**design
assembly
manufacturing
testing**

Labtech Microwave
8 Vincent Avenue
Crownhill
Milton Keynes
MK8 0AB
UK

Tel: +44 (0)1908 261755
Fax: +44 (0)1908 261788

www.labtechmicrowave.com
sales@labtech.ltd.uk