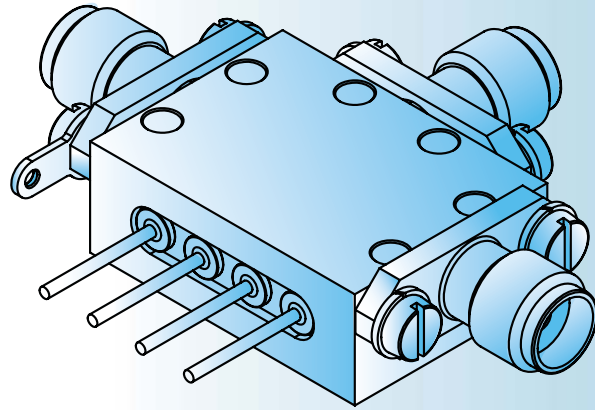
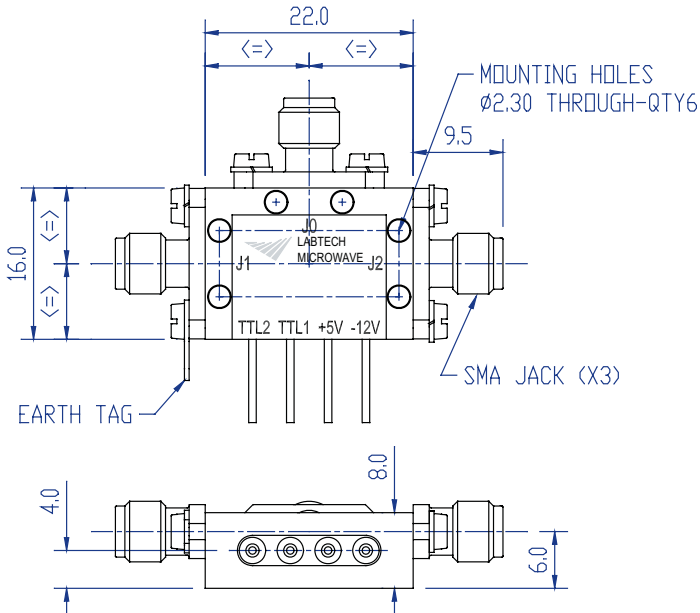


# LMN200 SERIES SPDT absorptive switches



ALL DIMENSIONS in mm TOLERANCES X.X +/-0.5mm X.XX +/-0.2mm.

## SPECIFICATIONS

PART No.	FREQUENCY (GHz)	MAXIMUM INSERTION LOSS (dB)	MINIMUM RETURN LOSS (dB)	MINIMUM ISOLATION (dB)	SWITCHING SPEED (ns)
LMN201	0.5 to 2	1.2	17	60	25
LMN202		1.2	17	60	250
LMN211	2 to 4	1.3	15	60	25
LMN212		1.3	15	60	250
LMN221	4 to 8	1.6	14	60	25
LMN222		1.6	14	60	250
LMN231	8 to 12	2	14	60	25
LMN232		2	14	60	250
LMN241	12 to 18	2.4	14	60	25
LMN242		2.4	14	60	250
LMN251	0.5 to 18	2.8	11	60	25
LMN252		2.8	11	60	250
LMN261	2 to 18	2.7	11	60	25
LMN262		2.7	11	60	250

All specifications guaranteed at +25°C measured in a 50Ω system.

## DRIVER LOGIC

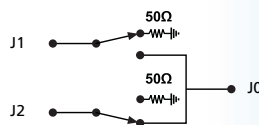
TTL1	TTL2	J1	J2
0	1	I/L	ISOL
1	0	ISOL	I/L
1	1	ISOL	ISOL

Note: Miniature outline has binary decoded TTL inputs.  
Current Sink: 1.6mA max. Current Source: 40µA max.

## NOTES

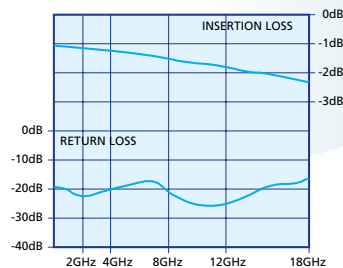
1. Above components are also available without driver.
2. Current consumption +5V: 70mA max; -12V: 40mA max
3. Recommended maximum input power :250mW
4. Maximum PRF for driver is 50MHz
5. Operating Temperature Range -55°C to +100°C
6. These are our standard specifications, customised options are available.

## BLOCK DIAGRAM

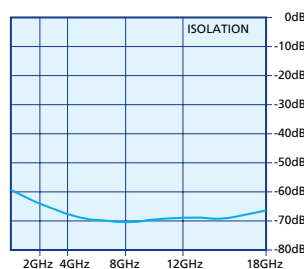


## TYPICAL RESULTS

### LOW LOSS



### HIGH LOSS



design  
assembly  
manufacturing  
testing

Labtech Microwave  
8 Vincent Avenue  
Crownhill  
Milton Keynes  
MK8 0AB  
UK

Tel: +44 (0)1908 261755  
Fax: +44 (0)1908 261788

www.labtechmicrowave.com  
sales@labtech.ltd.uk