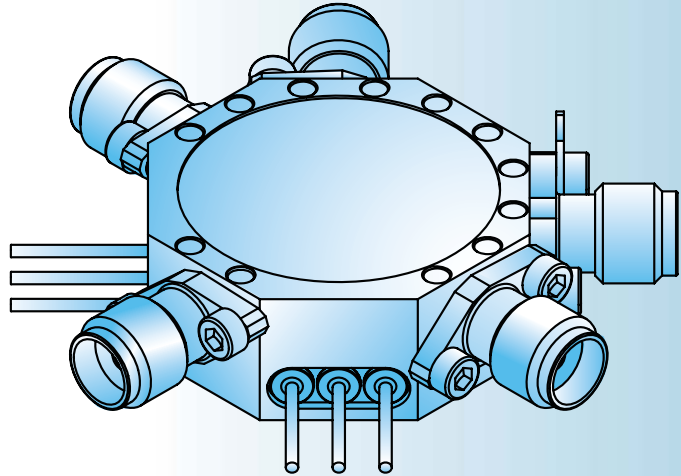
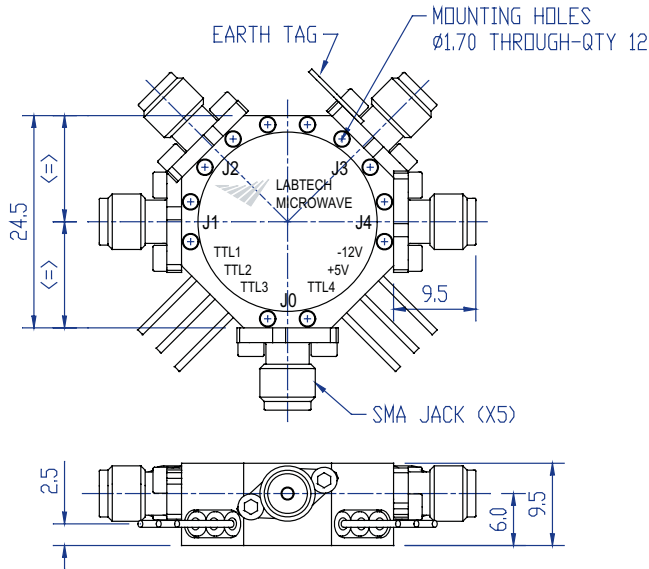


LMN400 SERIES SP4T absorptive switches



ALL DIMENSIONS in mm TOLERANCES X.X +/-0.5mm X.XX +/-0.2mm.

SPECIFICATIONS

PART No.	FREQUENCY (GHz)	MAXIMUM INSERTION LOSS (dB)	MINIMUM RETURN LOSS (dB)	MINIMUM ISOLATION (dB)	SWITCHING SPEED (ns)
LMN401	0.5 to 2	1.4	17	60	25
LMN402		1.4	17	60	250
LMN411	2 to 4	1.7	15	60	25
LMN412		1.7	15	60	250
LMN421	4 to 8	2	14	60	25
LMN422		2	14	60	250
LMN431	8 to 12	2.5	14	60	25
LMN432		2.5	14	60	250
LMN441	12 to 18	2.8	14	60	25
LMN442		2.8	14	60	250
LMN451	0.5 to 18	3.1	11	60	25
LMN452		3.1	11	60	250
LMN461	2 to 18	3	11	60	25
LMN462		3	11	60	250

All specifications guaranteed at +25°C measured in a 50Ω system.

DRIVER LOGIC

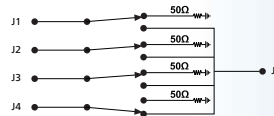
TTL1	TTL2	TTL3	TTL4	J1	J2	J3	J4
0	1	1	1	I/L	ISOL	ISOL	ISOL
1	0	1	1	ISOL	I/L	ISOL	ISOL
1	1	0	1	ISOL	ISOL	I/L	ISOL
1	1	1	0	ISOL	ISOL	ISOL	I/L
1	1	1	1	ISOL	ISOL	ISOL	ISOL

Note: Miniature outline has binary decoded TTL inputs.
Current Sink: 1.6mA max. Current Source: 40µA max.

NOTES

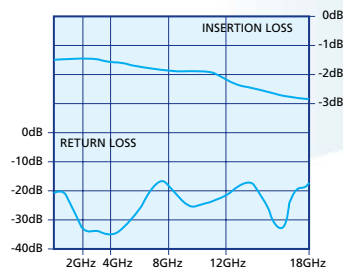
- Above components are also available without driver.
- Current consumption +5V: 120mA max; -12V: 40mA max
- Recommended maximum input power :250mW
- Maximum PRF for driver is 50MHz
- Operating Temperature Range -55°C to +100°C
- These are our standard specifications, customised options are available.

BLOCK DIAGRAM

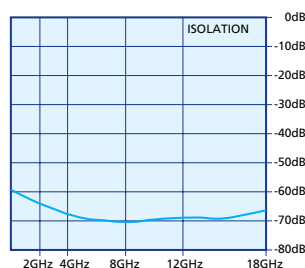


TYPICAL RESULTS

LOW LOSS



HIGH LOSS



design
assembly
manufacturing
testing

Labtech Microwave
8 Vincent Avenue
Crownhill
Milton Keynes
MK8 0AB
UK

Tel: +44 (0)1908 261755
Fax: +44 (0)1908 261788

www.labtechmicrowave.com
sales@labtech.ltd.uk