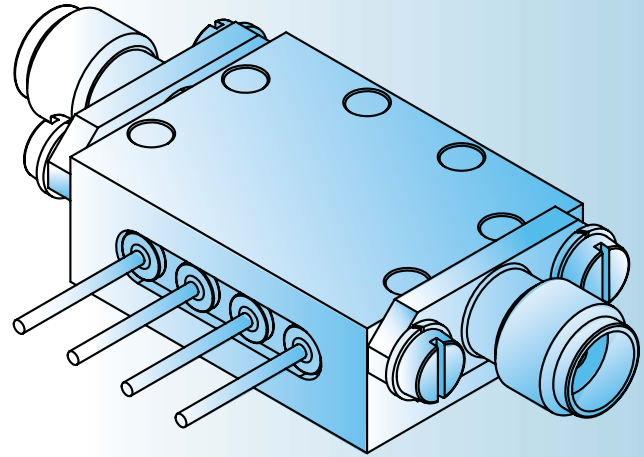
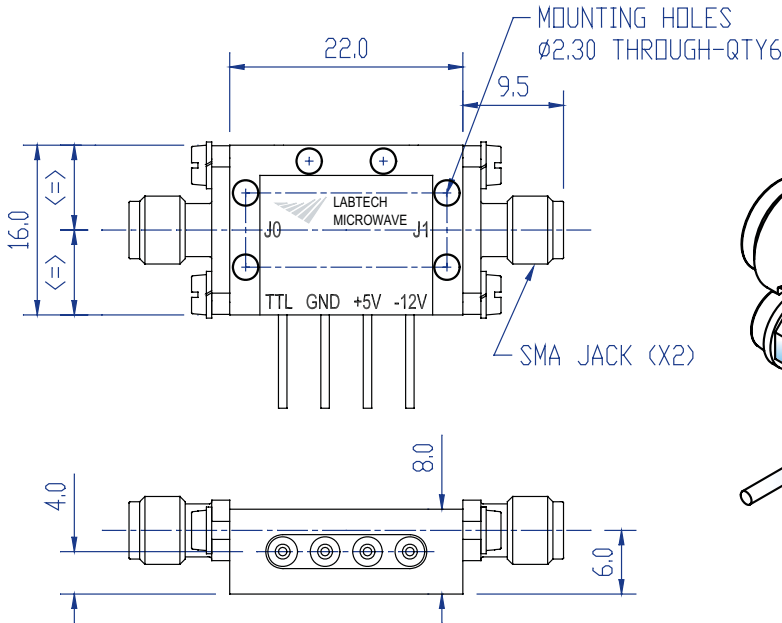


LMS100 SERIES

SPST reflective switches



ALL DIMENSIONS in mm TOLERANCES X.X +/-0.5mm X.XX +/-0.2mm.

SPECIFICATIONS

PART No.	FREQUENCY (GHz)	MAXIMUM INSERTION LOSS (dB)	MINIMUM RETURN LOSS (dB)	MINIMUM ISOLATION (dB)	SWITCHING SPEED (ns)
LMS101	0.5 to 2	0.5	20	60	25
LMS102		0.5	20	60	250
LMS111	2 to 4	0.7	17	60	25
LMS112		0.7	17	60	250
LMS121	4 to 8	0.9	15	60	25
LMS122		0.9	15	60	250
LMS131	8 to 12	1.4	14	60	25
LMS132		1.4	14	60	250
LMS141	12 to 18	1.6	14	60	25
LMS142		1.6	14	60	250
LMS151	0.5 to 18	2	12	60	25
LMS152		2	12	60	250
LMS161	2 to 18	1.8	12	60	25
LMS162		1.8	12	60	250

All specifications guaranteed at +25°C measured in a 50Ω system.

DRIVER LOGIC

TTL	J0
0	I/L
1	ISOL

Note: Miniature outline has binary decoded TTL inputs.
Current Sink: 1.6mA max. Current Source: 40µA max.

NOTES

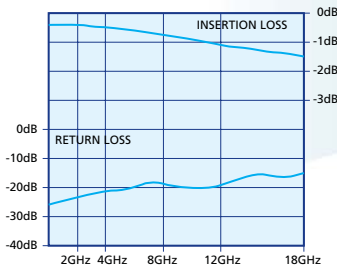
- Above components are also available without driver.
- Current consumption +5V: 50mA max; -12V: 5mA max
- Recommended maximum input power :250mW
- Maximum PRF for driver is 50MHz
- Operating Temperature Range -55°C to +100°C
- These are our standard specifications, customised options are available.

BLOCK DIAGRAM

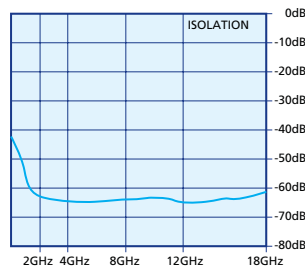


TYPICAL RESULTS

LOW LOSS



HIGH LOSS



**design
assembly
manufacturing
testing**

Labtech Microwave
8 Vincent Avenue
Crownhill
Milton Keynes
MK8 0AB
UK

Tel: +44 (0)1908 261755
Fax: +44 (0)1908 261788

www.labtechmicrowave.com
sales@labtech.ltd.uk