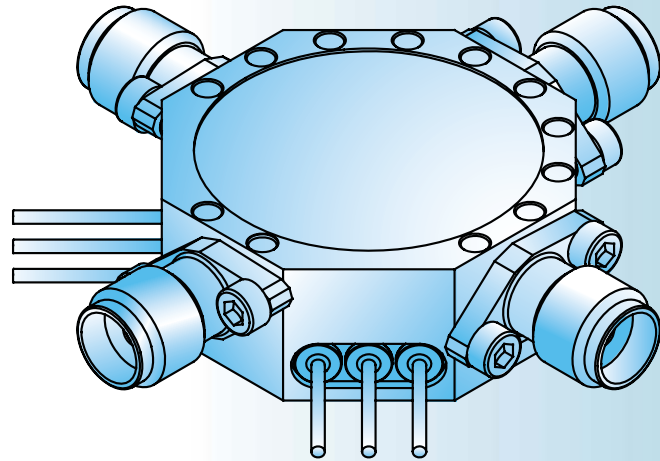
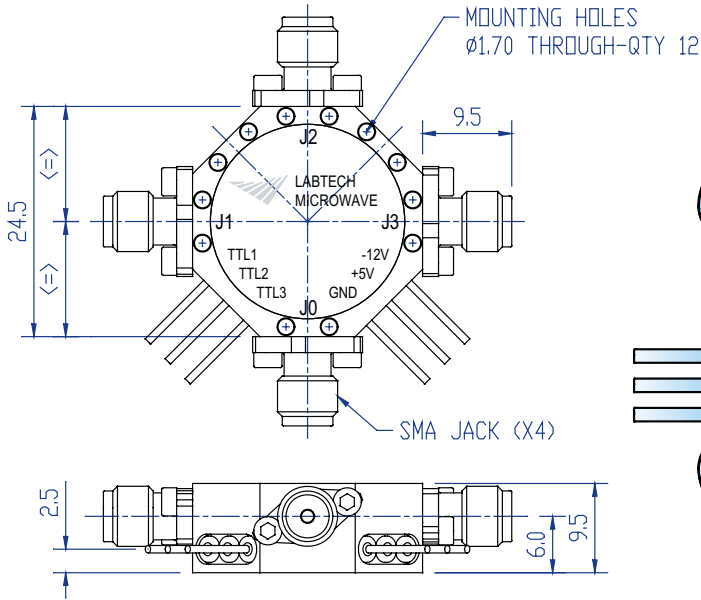


# LMS300 SERIES SP3T reflective switches



ALL DIMENSIONS in mm TOLERANCES X.X +/-0.5mm X.XX +/-0.2mm.

## SPECIFICATIONS

PART No.	FREQUENCY (GHz)	MAXIMUM INSERTION LOSS (dB)	MINIMUM RETURN LOSS (dB)	MINIMUM ISOLATION (dB)	SWITCHING SPEED (ns)
LMS301	0.5 to 2	0.7	18	60	25
LMS302		0.7	18	60	250
LMS311	2 to 4	1.1	16	60	25
LMS312		1.1	16	60	250
LMS321	4 to 8	1.3	14	60	25
LMS322		1.3	14	60	250
LMS331	8 to 12	1.8	14	60	25
LMS332		1.8	14	60	250
LMS341	12 to 18	2.2	14	60	25
LMS342		2.2	14	60	250
LMS351	0.5 to 18	2.5	11	60	25
LMS352		2.5	11	60	250
LMS361	2 to 18	2.3	11	60	25
LMS362		2.3	11	60	250

All specifications guaranteed at +25°C measured in a 50Ω system.

## DRIVER LOGIC

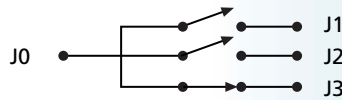
TTL1	TTL2	TTL3	J1	J2	J3
0	1	1	I/L	ISOL	ISOL
1	0	1	ISOL	I/L	ISOL
1	1	0	ISOL	ISOL	I/L
1	1	1	ISOL	ISOL	ISOL

Note: Miniature outline has binary decoded TTL inputs.  
Current Sink: 1.6mA max. Current Source: 40µA max.

## NOTES

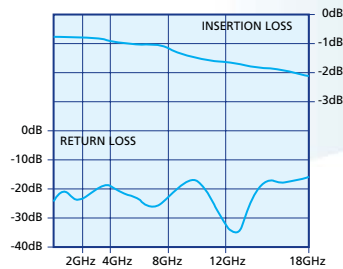
- Above components are also available without driver.
- Current consumption +5V: 100mA max; -12V: 40mA max
- Recommended maximum input power :250mW
- Maximum PRF for driver is 50MHz
- Operating Temperature Range -55°C to +100°C
- These are our standard specifications, customised options are available.

## BLOCK DIAGRAM

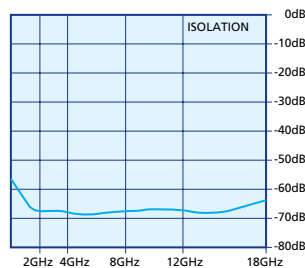


## TYPICAL RESULTS

### LOW LOSS



### HIGH LOSS



**design  
assembly  
manufacturing  
testing**

Labtech Microwave  
8 Vincent Avenue  
Crownhill  
Milton Keynes  
MK8 0AB  
UK

Tel: +44 (0)1908 261755  
Fax: +44 (0)1908 261788

www.labtechmicrowave.com  
sales@labtech.ltd.uk